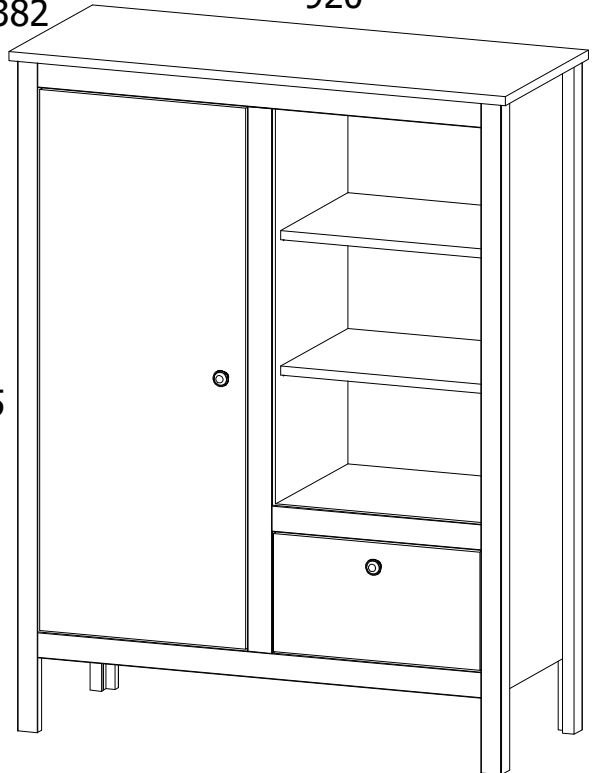


| A | B | C | | | D | E |
|----|-----------|------|-----|----------|---|-----|
| 1 | B156-1521 | 1184 | 38 | 38 | 1 | 1\1 |
| 2 | B156-1510 | 1184 | 38 | 38 | 1 | 1\1 |
| 3 | B156-1511 | 1184 | 38 | 38 | 2 | 1\1 |
| 4 | B156-203 | 920 | 382 | 16 | 1 | 1\1 |
| 5 | B156-305 | 823 | 333 | 16 | 1 | 1\1 |
| 6 | B156-306 | 389 | 333 | 16 | 1 | 1\1 |
| 7 | B156-307 | 417 | 310 | 16 | 2 | 1\1 |
| 8 | B156-308 | 388 | 310 | 16 | 2 | 1\1 |
| 9 | B156-108 | 1053 | 333 | 16 | 1 | 1\1 |
| 10 | B156-109 | 1053 | 333 | 16 | 1 | 1\1 |
| 11 | B156-110 | 1008 | 333 | 16 | 1 | 1\1 |
| 12 | B156-007 | 955 | 382 | 16 | 1 | 1\1 |
| 26 | B156-008 | 382 | 209 | 16 | 1 | 1\1 |
| 14 | B156-505 | 331 | 120 | 12,16,18 | 1 | 1\1 |
| 24 | B156-501 | 300 | 120 | 16 | 1 | 1\1 |
| 25 | B156-502 | 300 | 120 | 16 | 1 | 1\1 |
| 17 | B156-907 | 345 | 298 | 2,5 | 1 | 1\1 |
| 18 | B156-908 | 1027 | 411 | 2,5 | 1 | 1\1 |
| 19 | B156-909 | 1027 | 440 | 2,5 | 1 | 1\1 |
| 27 | B156-1517 | 823 | 46 | 16 | 1 | 1\1 |
| 28 | B156-1518 | 823 | 46 | 16 | 1 | 1\1 |
| 22 | B156-1519 | 961 | 46 | 16 | 1 | 1\1 |
| 23 | B156-1520 | 388 | 46 | 16 | 1 | 1\1 |
| - | | | | | 1 | 1\1 |

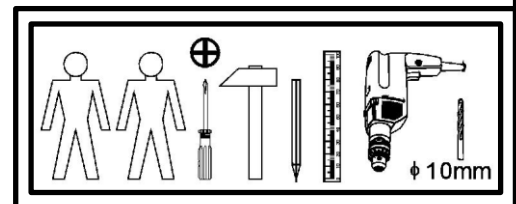
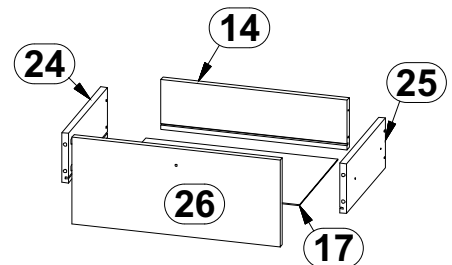
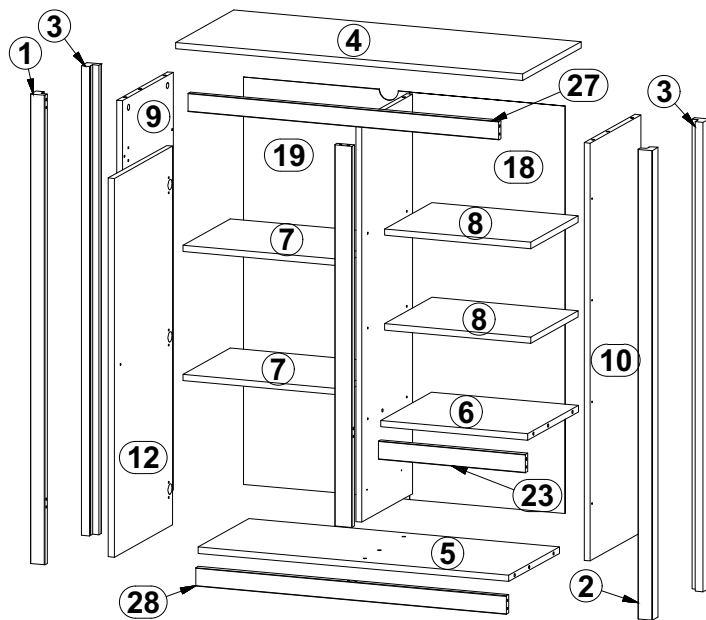


382

920

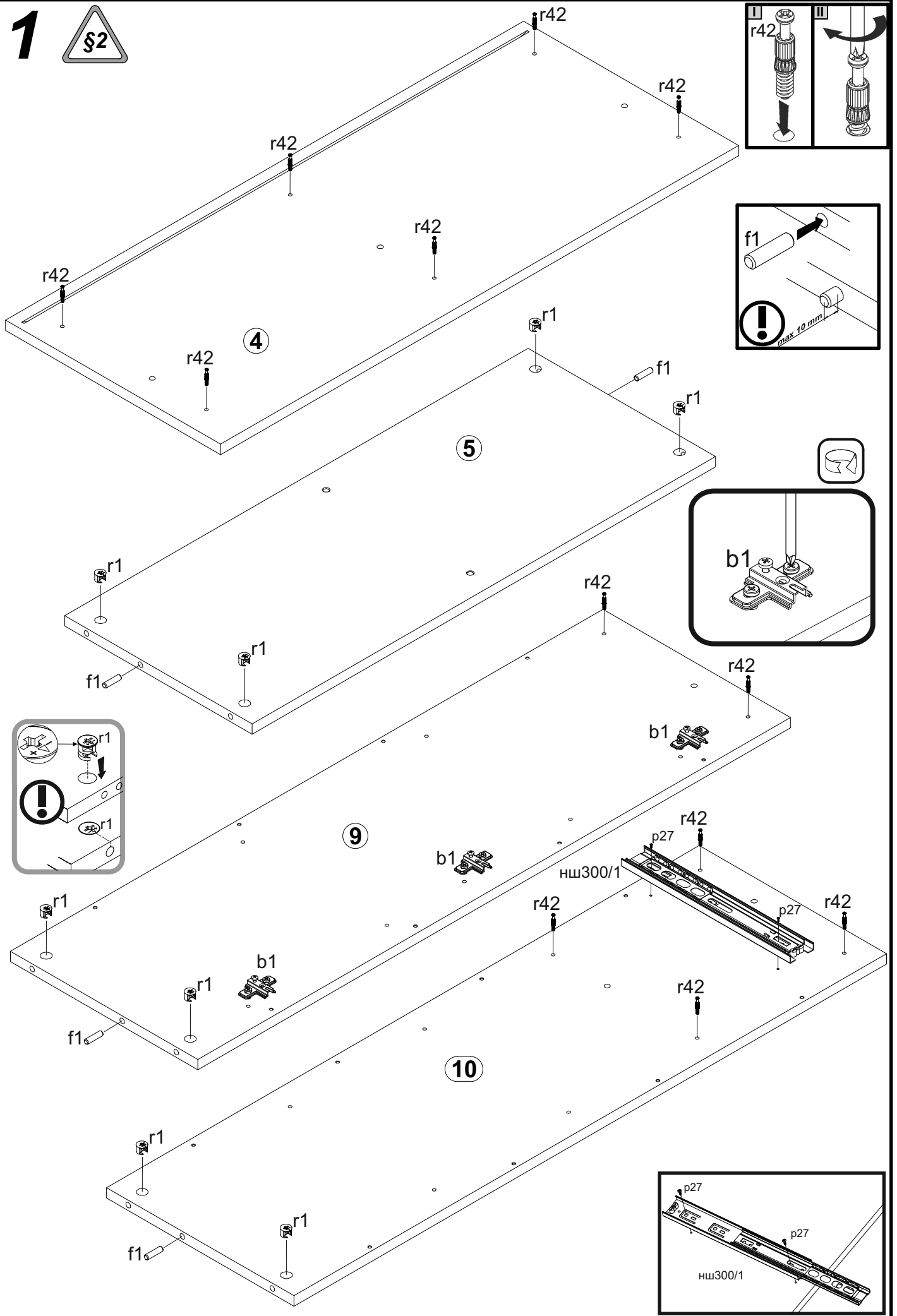


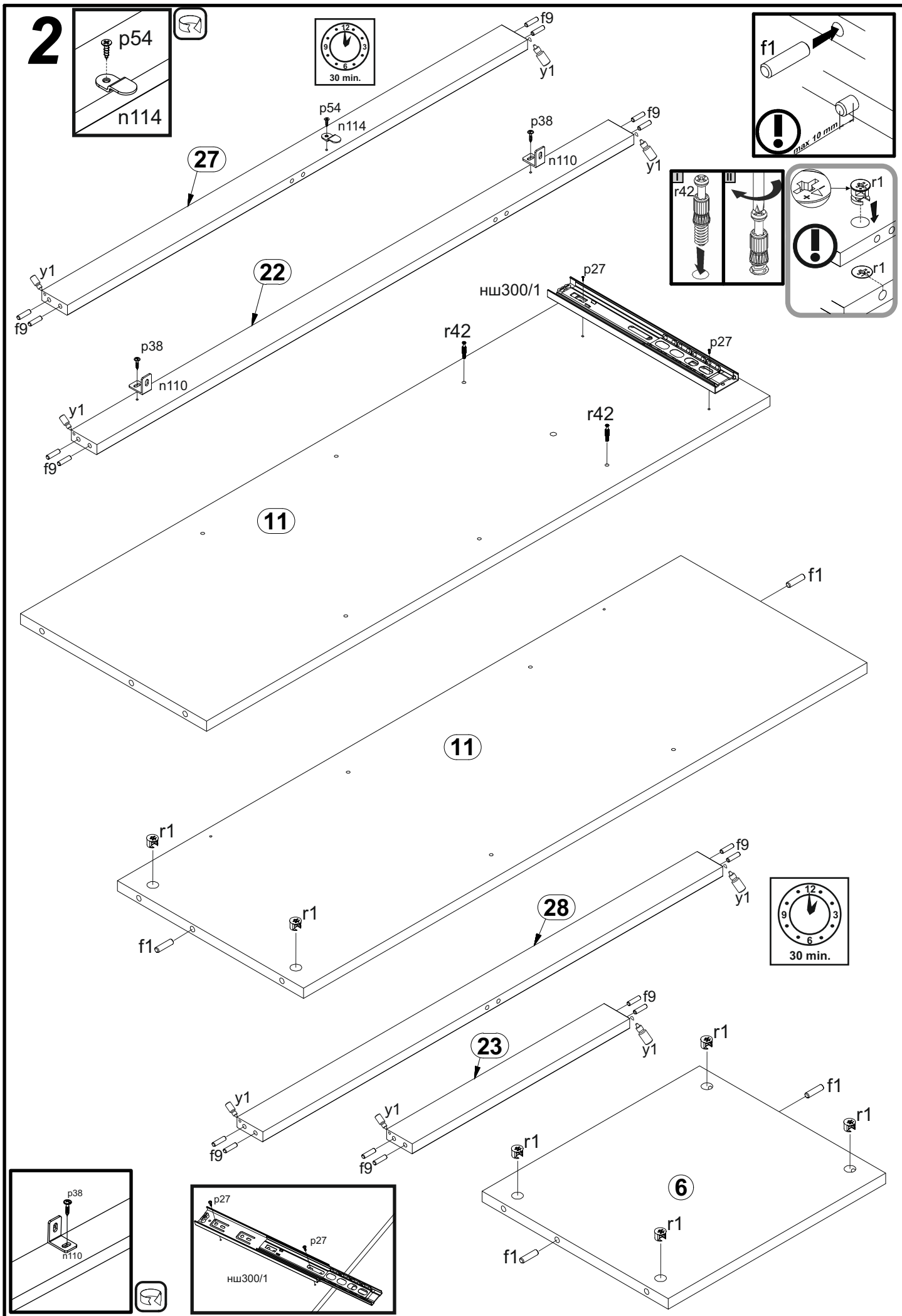
1205



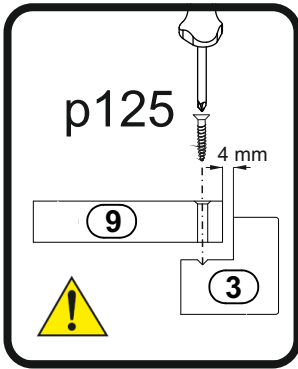
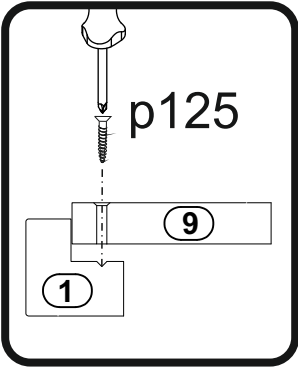
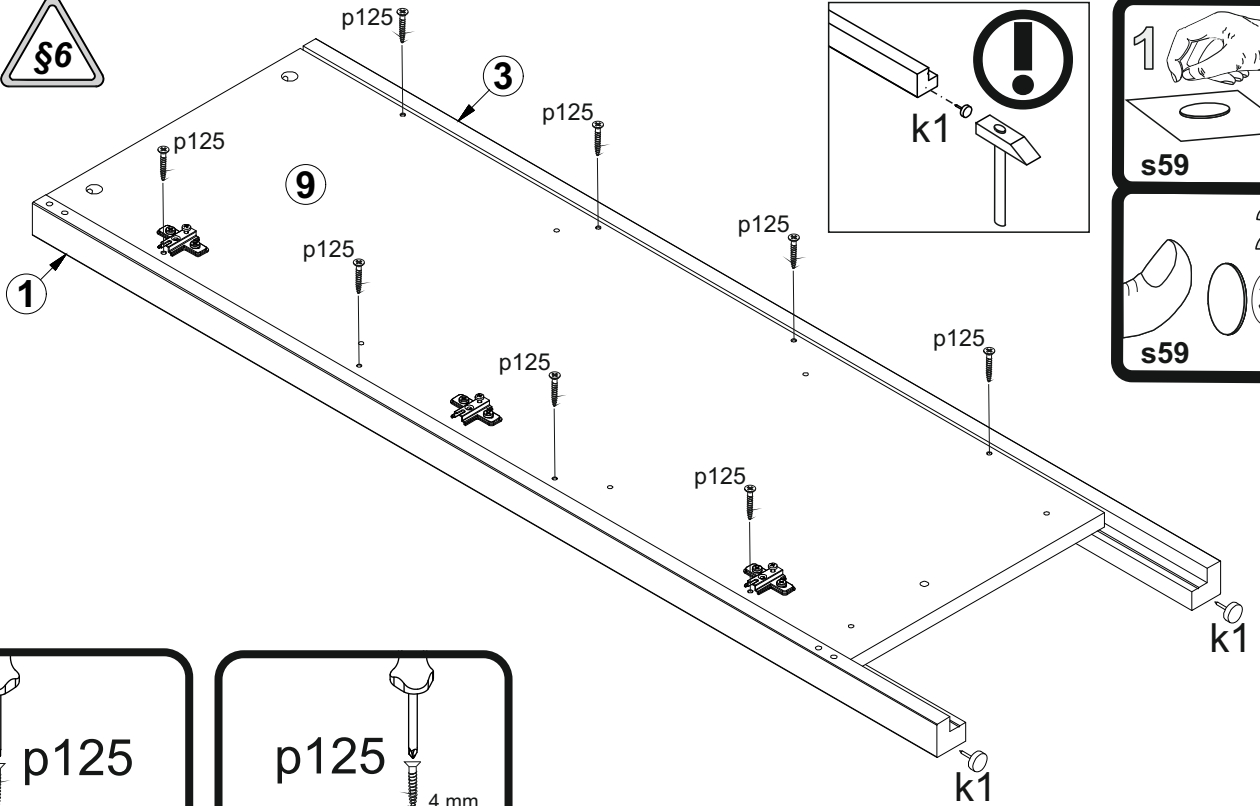
| | | | | | | |
|---------------------------|--------------------------|------------------|------------------|------------------|-------------------|-------------------------|
| 3x a1 | 3x b1 | 2x c257 | 16x x17 mm d1 | 2x 7x50 mm e1 | 8x x30 mm f1 | 16x x30 mm f9 |
| 1x x50 mm f35 | 2x M4x20 mm j1 | 4x k1 | 12x l1 | 8x l2 | 1x n26 | 2x 25x25x16/2mm n110 |
| 1x 29x13x5/1,5 mm n114 | 5x 20x13x3,5/1mm n108 | 4x x40 mm p10 | 1x x60 mm p17 | 8x x13 mm p27 | 5x x16 mm p38 | 1x 3x12 mm p54 |
| 5x x16 mm p55 | 16x x30 mm p125 | 18x x12mm r1 | 18x 20/11 r42 | 10x 16 s2 | 1x silikon s50 | 16x s59 |
| 1x y1 | 1x z1 | 2x HШ300/1 | 2x HШ300/2 | | | |

1

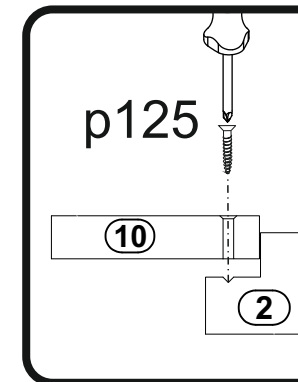
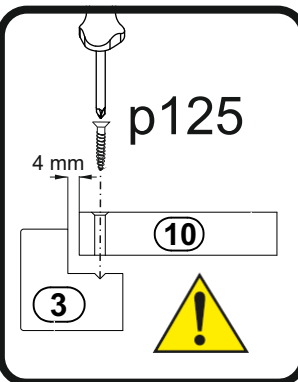
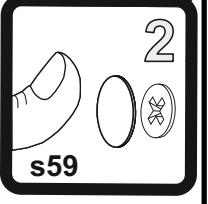
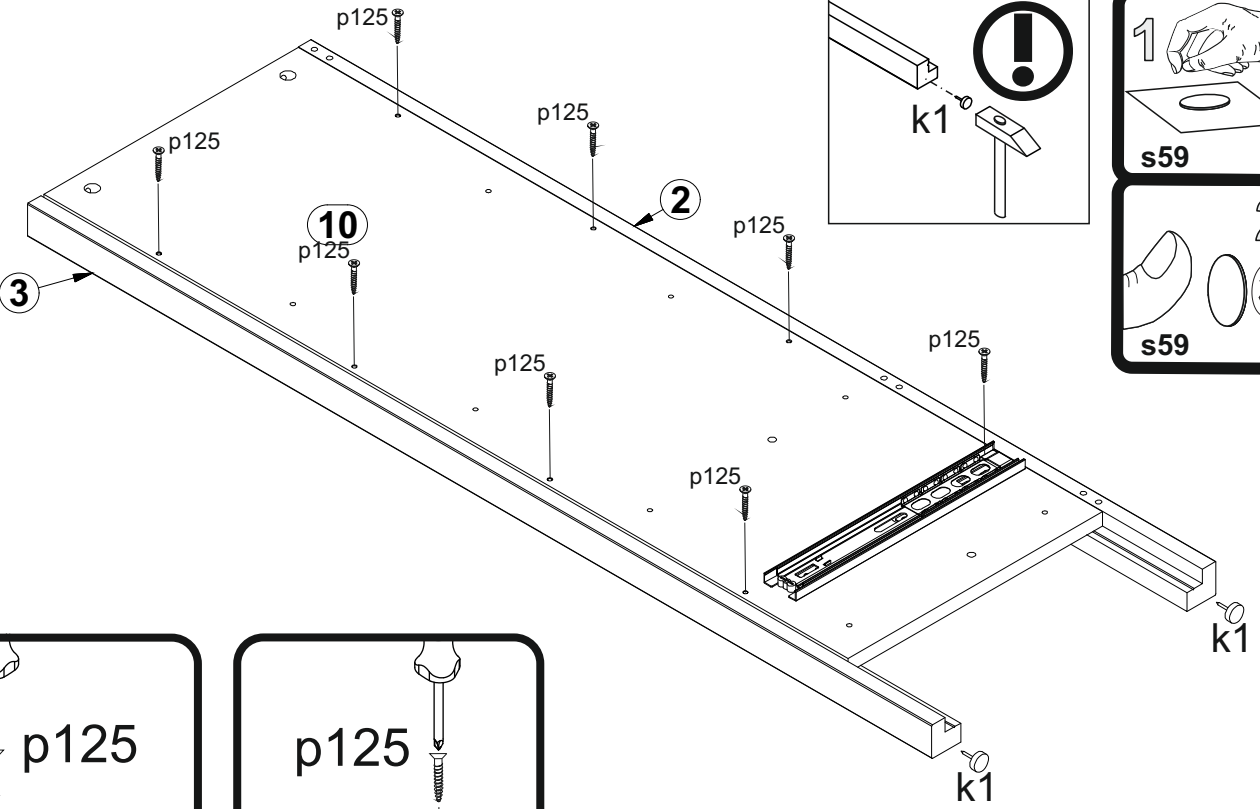




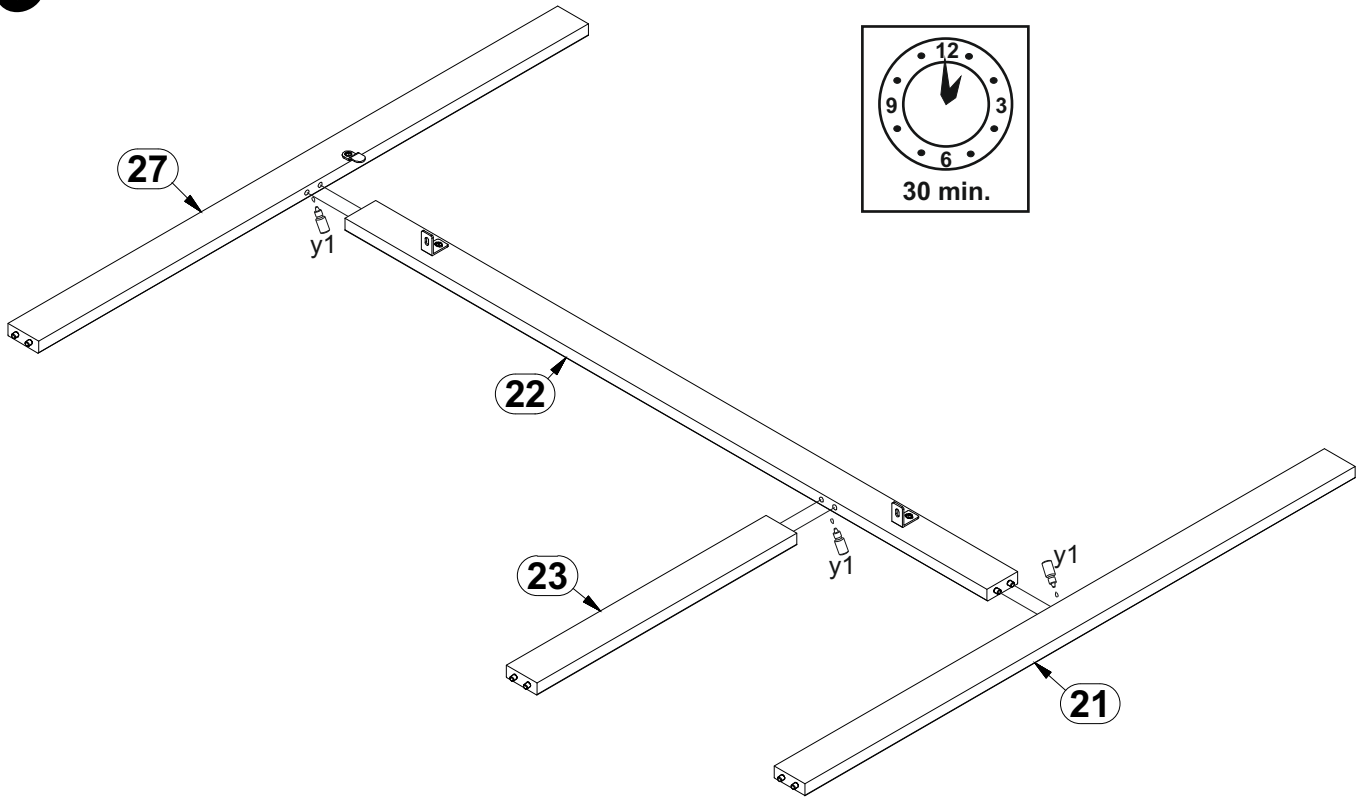
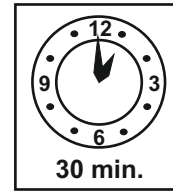
3



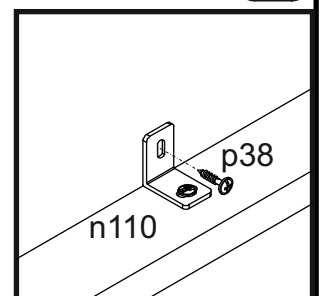
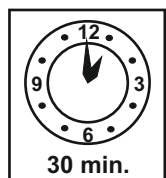
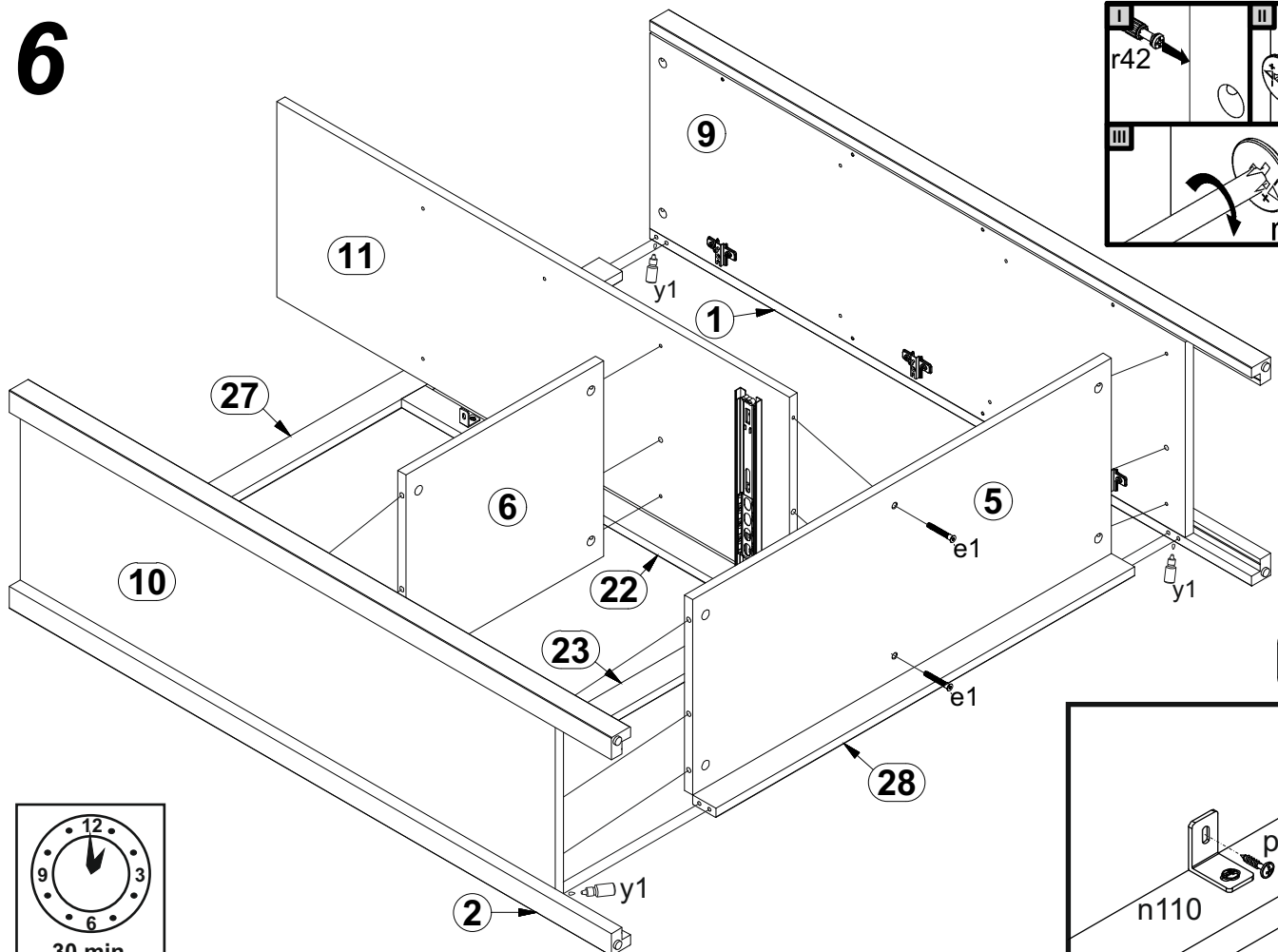
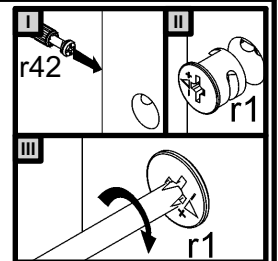
4



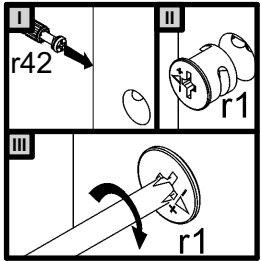
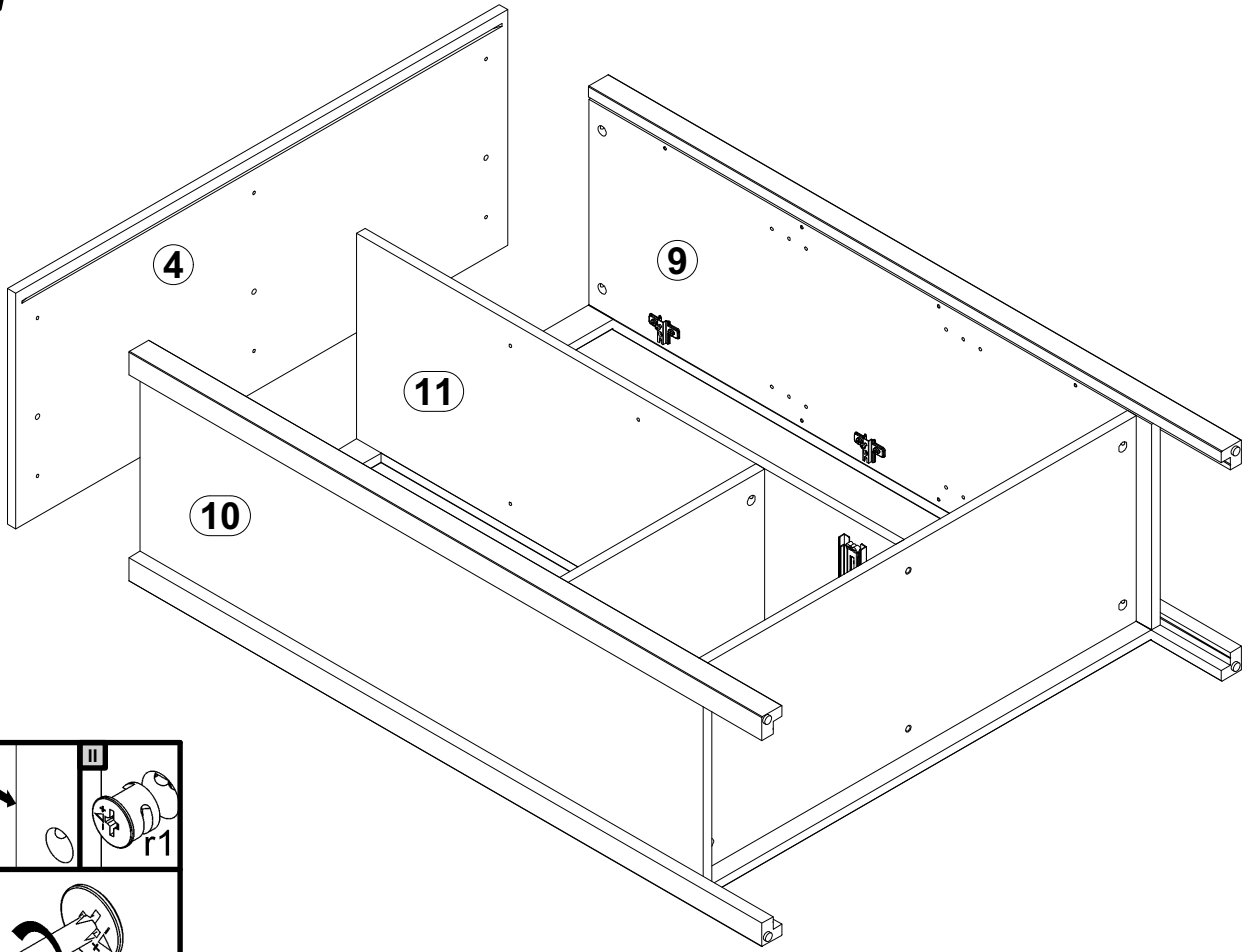
5



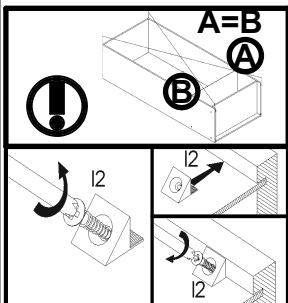
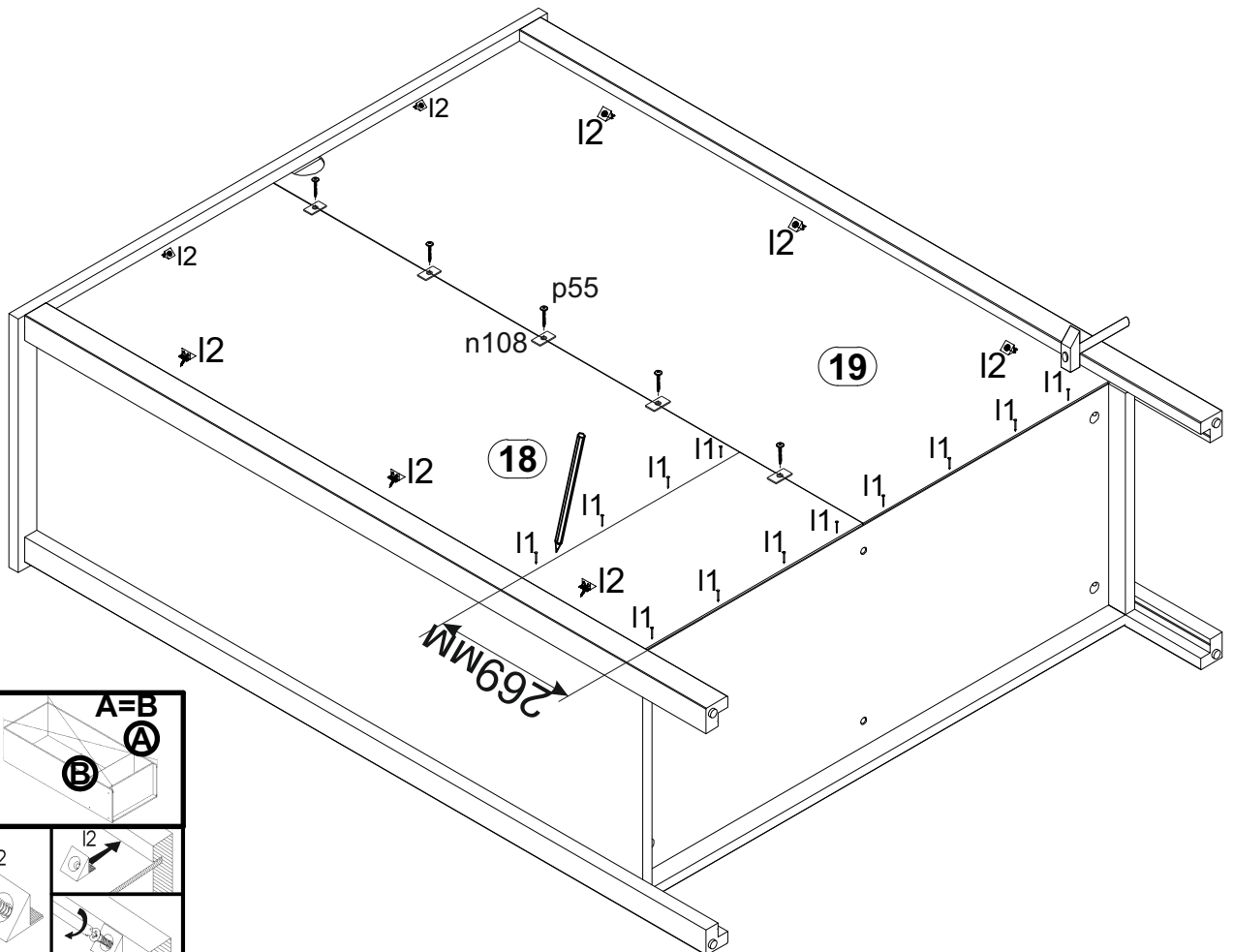
6



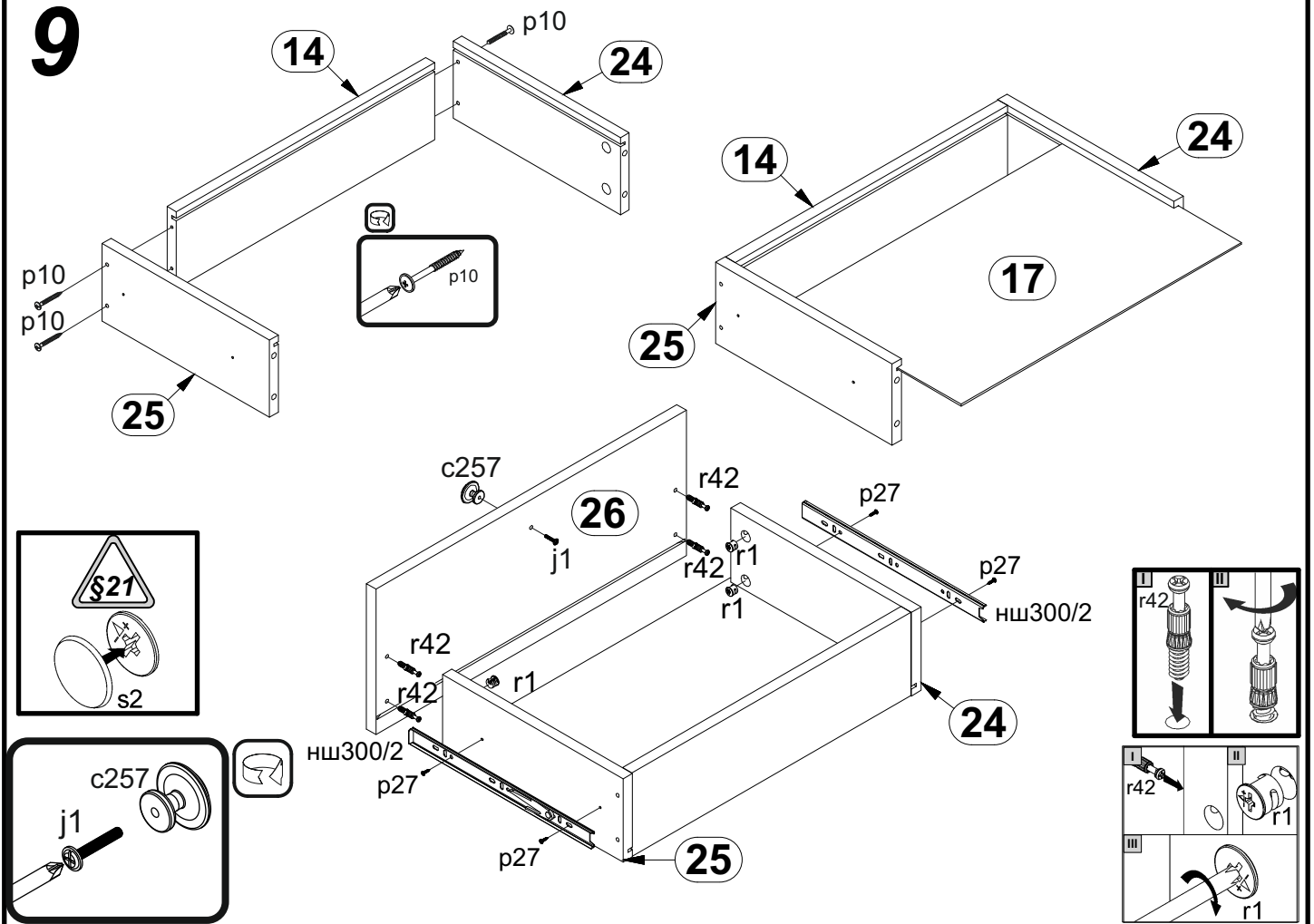
7



8

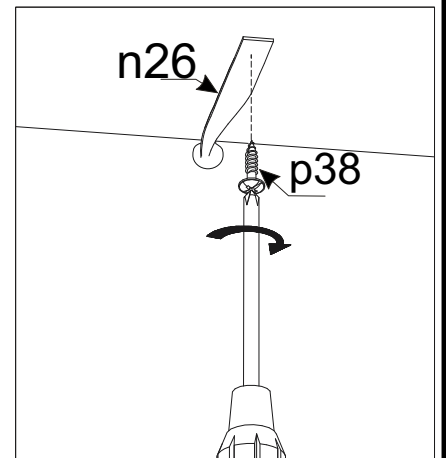
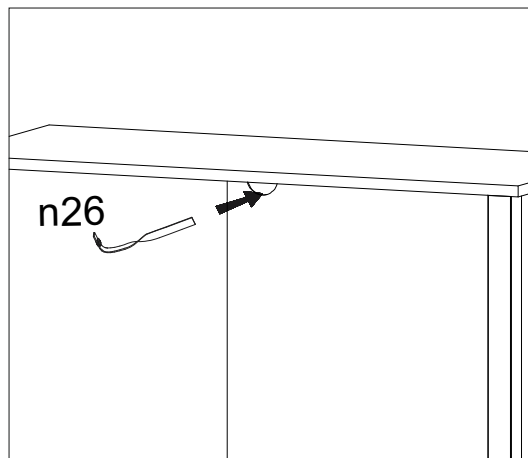
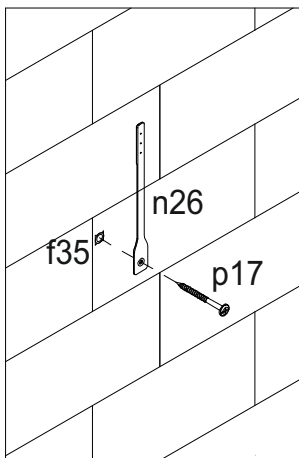
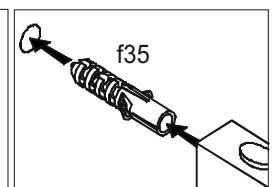
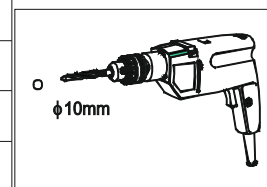
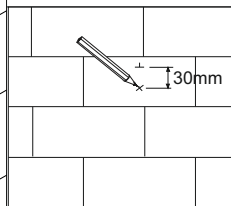
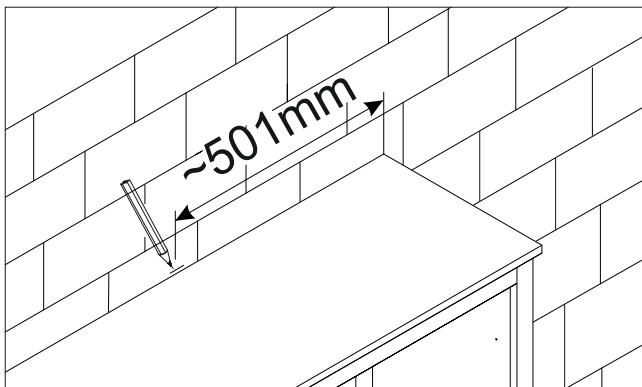
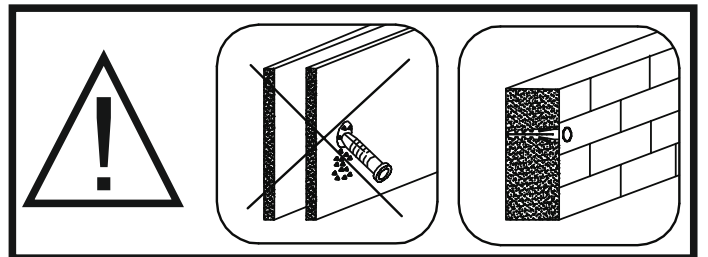


9

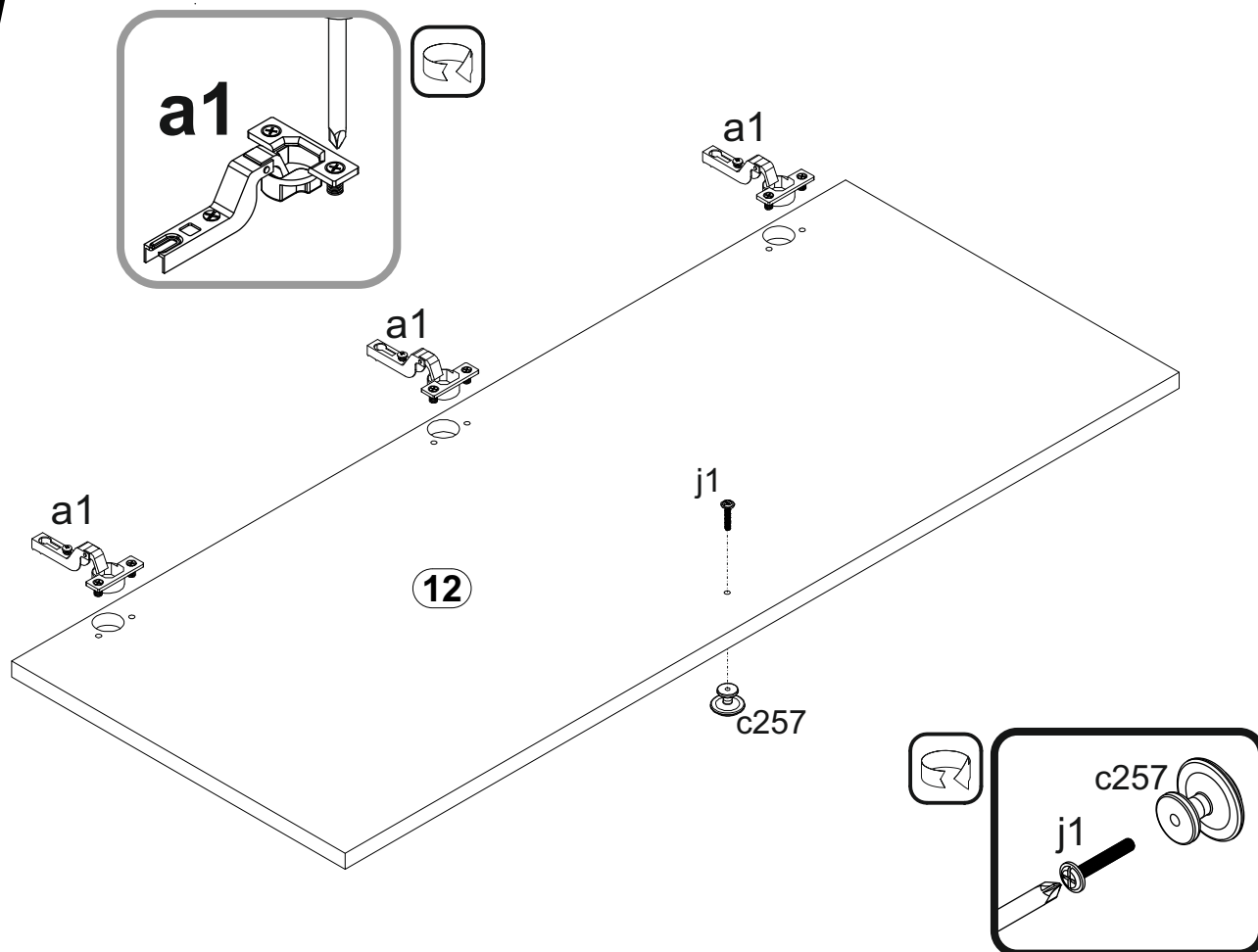


10

§18



11



12

